

# UVC Sensor: G280T01MBP

- Features**
- AlGaN based material
  - UVC photodiode
  - TO46 package
  - Good solar blindness
  - High responsivity and low dark current

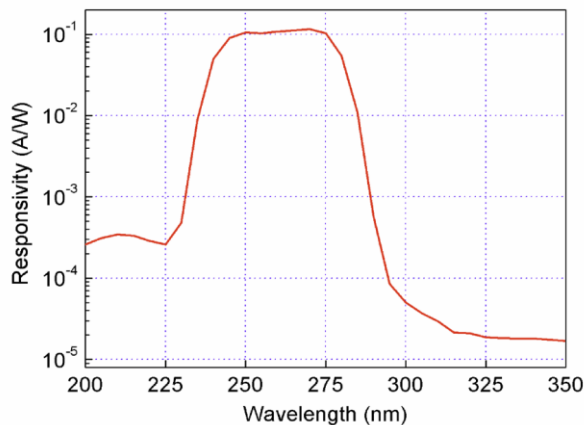


- Applications**
- Ozone monitoring
  - UV radiation dose measurement
  - Flame detection

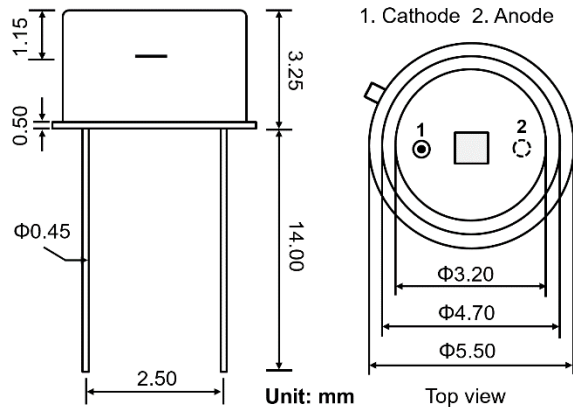
## Specifications

Parameter	Symbol	Value	Unit
<b>Spectral characteristics (25 °C)</b>			
Wavelength of peak responsivity	$\lambda_{max}$	275	nm
Peak responsivity (at 275 nm)	$R_{max}$	0.12	A/W
Spectral response range	-	240~280	nm
UV/visible rejection ratio ( $R_{max}/R_{300\text{ nm}}$ )	VB	$>10^3$	-
<b>General characteristics (25 °C)</b>			
Chip size	A	0.2	mm <sup>2</sup>
Dark current (1 V reverse bias)	$I_d$	<10	pA
Capacitance (at 0 V and 1 MHz)	C	53	pF
Temperature coefficient	$T_c$	-0.1	%/°C
<b>Maximum ratings</b>			
Operation temperature range	$T_{opt}$	-40~85	°C
Storage temperature range	$T_{stor}$	-40~85	°C
Soldering temperature (3 s)	$T_{sold}$	260	°C
Reverse voltage	$V_{Rmax}$	5	V

## Spectral response



## Package dimensions



**\*Caution:** ESD can damage the device hence please avoid ESD.