

UVA Sensor: G420T01L

Features

Indium Gallium nitride based material
 Broad band UVA+UVB+UVC photodiode
 Photovoltaic mode operation
 TO-46 metal housing
 High responsivity and low dark current



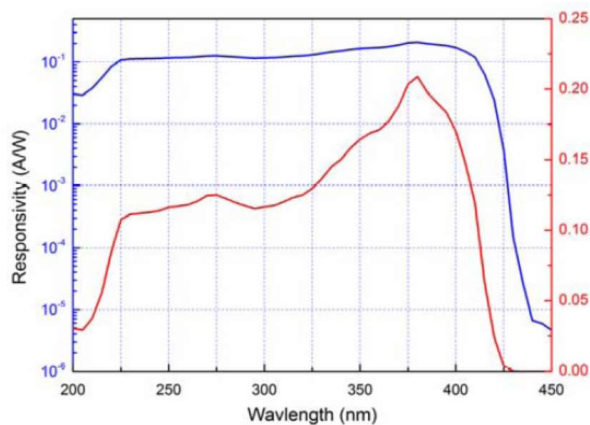
Applications

UV LED monitoring
 UV radiation dose measurement
 UV Curing

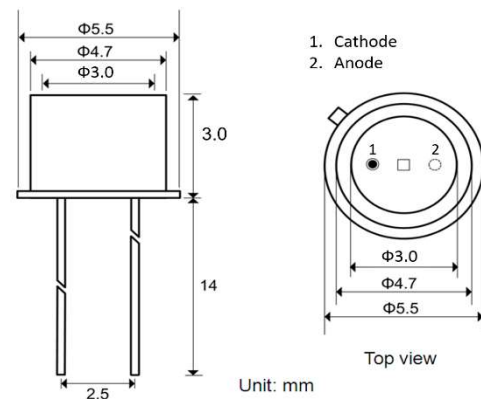
Specifications

Parameter	Symbol	Value	Unit
Spectral characteristics (25 °C)			
Wavelength of peak responsivity	λ_{max}	385	nm
Peak responsivity (at 385 nm)	R_{max}	0.205	A/W
Spectral response range	-	220~420	nm
UV/visible rejection ratio ($R_{max}/R_{400\text{ nm}}$)	VB	$>10^3$	-
General characteristics (25 °C)			
Chip size	A	1	mm ²
Dark current (1 V reverse bias)	I_d	<1	nA
Capacitance (at 0 V and 1 MHz)	C	55	pF
Temperature coefficient	T_c	-0.1	%/°C
Maximum ratings			
Operation temperature range	T_{opt}	-40~85	°C
Storage temperature range	T_{stor}	-40~85	°C
Soldering temperature (3 s)	T_{sold}	260	°C
Reverse voltage	V_{Rmax}	10	V

Spectral response



Package dimensions



***Caution:** ESD can damage the device hence please avoid ESD.